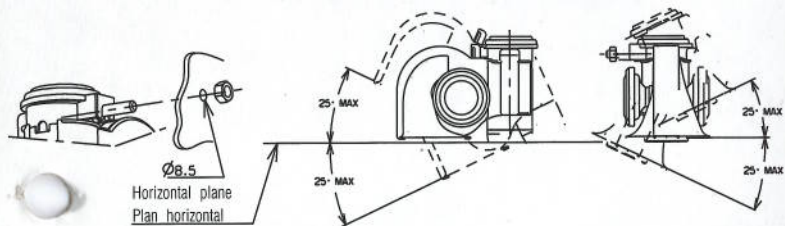
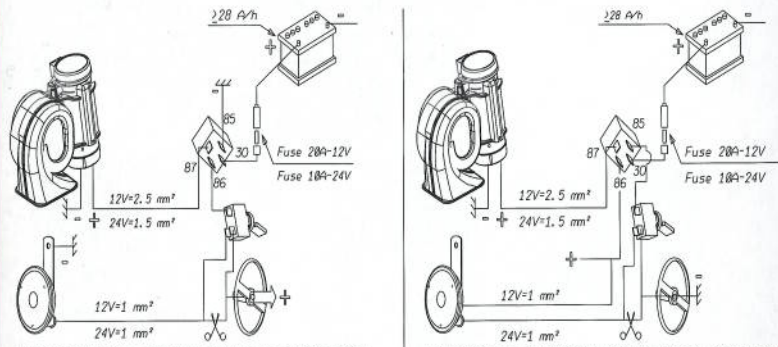


stebel®

MOUNTING DIAGRAM
SCHEMA DE MONTAGE



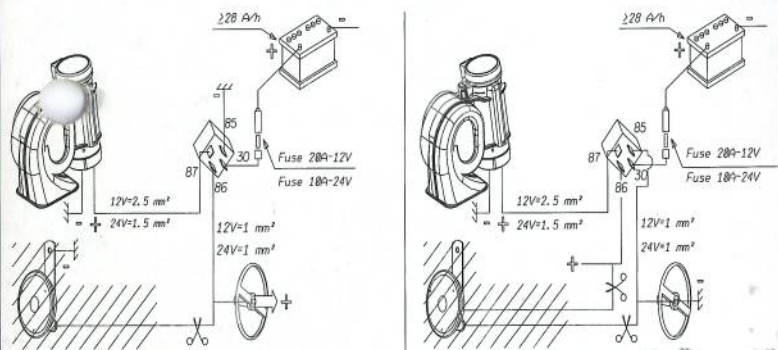
HORN MOUNTED IN ADDITION TO NORMAL HORN
AVERTISSEUR MONTE EN PLUS DE L'AVERTISSEUR D'ORIGINE



WIRING DIAGRAM FOR CARS WITH "HOT" LEAD TO HORN BUTTON
SCHEMA DE MONTAGE AVEC BOUTON DE COMMANDE AU POSITIF

WIRING DIAGRAM FOR CARS WITH GROUND LEAD TO HORN BUTTON
SCHEMA DE MONTAGE AVEC BOUTON DE COMMANDE A LA MASSE

HORN MOUNTED INSTEAD OF NORMAL HORN
AVERTISSEUR MONTE EN LIEU ET PLACE L'AVERTISSEUR D'ORIGINE



WIRING DIAGRAM FOR CARS WITH "HOT" LEAD TO HORN BUTTON
SCHEMA DE MONTAGE AVEC BOUTON DE COMMANDE AU POSITIF

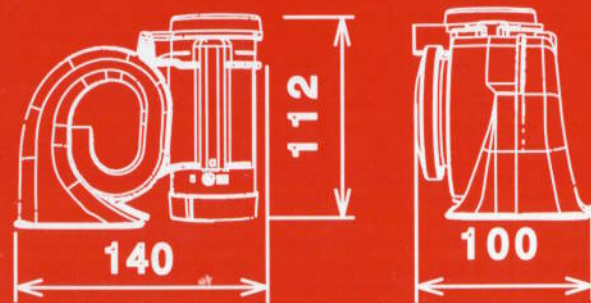
WIRING DIAGRAM FOR CARS WITH GROUND LEAD TO HORN BUTTON
SCHEMA DE MONTAGE AVEC BOUTON DE COMMANDE A LA MASSE

NAUTILUS COMPACT TRUCK HORN

We have adapted our innovative patented "Nautilus" technology to create a new air horn. Only 10cm wide, it is able to emit 110dB (measured at 2 meters) at an "earthquaking" frequency of 300Hz.

Up until now, this same performance could be reached only by using "trombones" of almost 50cm in length and the obvious installation difficulties that come with such bulky items.

The Stebel Compact truck Horn does not require complex connections to the vehicle's compressed air chamber because it features an incorporated mini-compressor with a totally independent capability. Particularly suited for mountings "under the hood".



stebel® S.p.a.

Via Clossa, 10 - Grisignano di Zocco (VI) - ITALY
UNI EN ISO 9001



COMPACT AIR HORN WITH DEEP POWERFUL BASS SOUND
TIEFER LEISTUNGSFÄHIGER TON KOMPAKT LUFTHORN
AVERTISSEUR ELECTROPNEUMATIQUES COMPACTE A SON PUISSANT ET PROFOND
BOCINA ELECTROPNEUMATICA CON SONIDO DE GRAN ALCANCE PROFUNDO
AVVISATORE ELETTRONEUMATICO COMPATTO A SUONO PROFONDO
紧凑强劲深低音气喇叭

This horn is produced exclusively by Stebel S.p.A - Italy.
这款喇叭由意大利的 Stebel SPA 专门定制
It is marketed by authorized distributors exclusively with the Stebel original brand.
它仅以 Stebel 原商标由授权经销商销售
The international patent and intellectual property is owned exclusively by Stebel
The international patent and intellectual property is owned exclusively by Stebel
patent numbers already awarded: US 7038576; SG 103530; RU226926; AU2002336960
国际专利和知识产权此前已经获得的 Stebel 专利号所有 US7 038576; SG103530; RU226926; AU2002336960

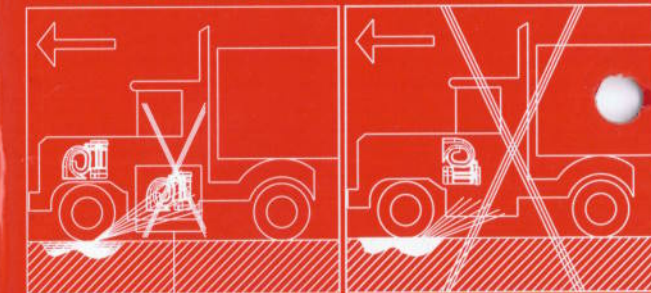
12V <18A
24V <9A
300 Hz ±5%
>110 dB(A) at 2m
>133 dB(A) at 4m

trombe
stebel®
horns



IMPORTANT ADVISE FOR CORRECT INSTALLATION
AVIS IMPORTANT POUR UNE INSTALLATION CORRECTE

THE WARRANTY IS NOT APPLICABLE FOR DAMAGES CAUSED BY IMPROPER INSTALLATION
GARANTIE PAS APPLICABLE POUR DOMMAGES CAUSÉS PAR INSTALLATION IMPROPRE



IN CASE OF FREQUENT OFF ROAD USE,
INSTALL WITH A RUBBER HOSE.
EN CAS D'UTILISATION FREQUENTE OFF-ROAD,
INSTALLER AVEC UN TUYAU EN CAOUTCHOUC.



PLACE OPEN EXTREMITY OF
HOSE IN CLEAR AIR AREA
PORTER L'EXTREMITE OU
TUYAU DANS LE POINT
PLUS AERIE DU VEHICULE

TERMS WARRANTY: SEE www.stebel.it OR CONTACT YOUR DEALER
CONDITIONS DE GARANTIE: VOIR www.stebel.it OU CONTACTER VOTRE NEGOCIANT

THIS BOX CONTAINS
CETTE BOITE CONTIENT



Contains: 1 Horn, 1 Relay, Fixing kit
Contient: 1 Avertisseur, 1 Relais, Kit fixation

